


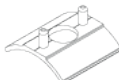


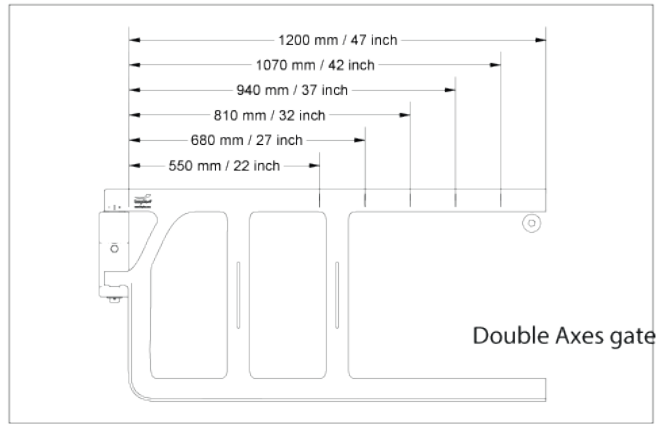
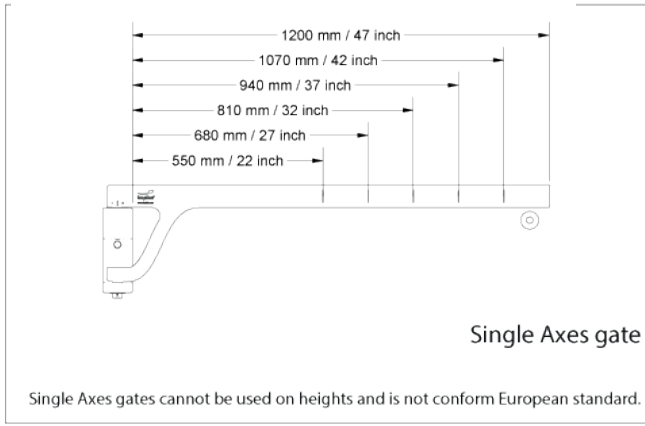


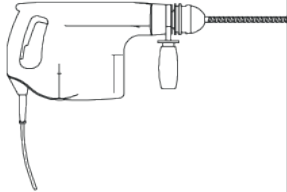
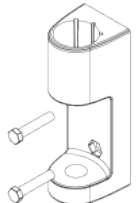
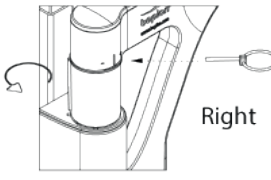
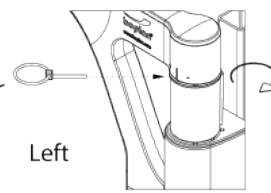
# Instructions d'installation

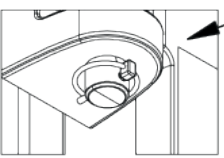
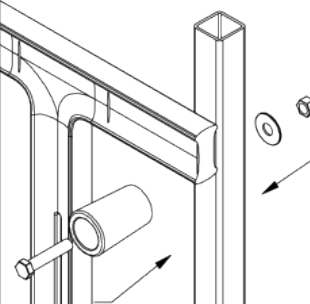
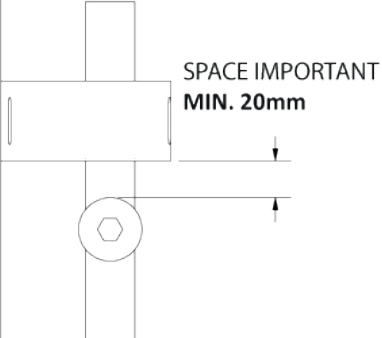
## Axes Gate

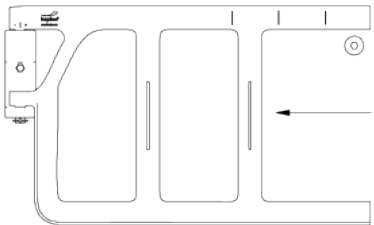
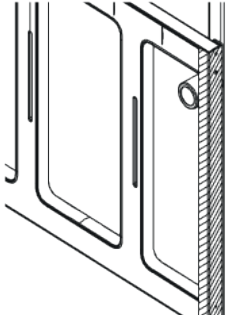
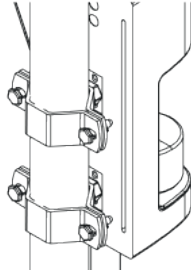


	 3x M12x60 - A2 304	 1x	Ø12 mm TORQUE 
	 2x	 1x	



Drill pattern Reverse page 	Max. torque: 20 Nm 	Right 	Left 
--	--	--	--

		SPACE IMPORTANT ! MIN. 20mm 
---	---	---

OPTION 	OPTION 	OPTION 
---	---	---

# Instructions d'installation

## Axes Gate



SCALE 1/1

