

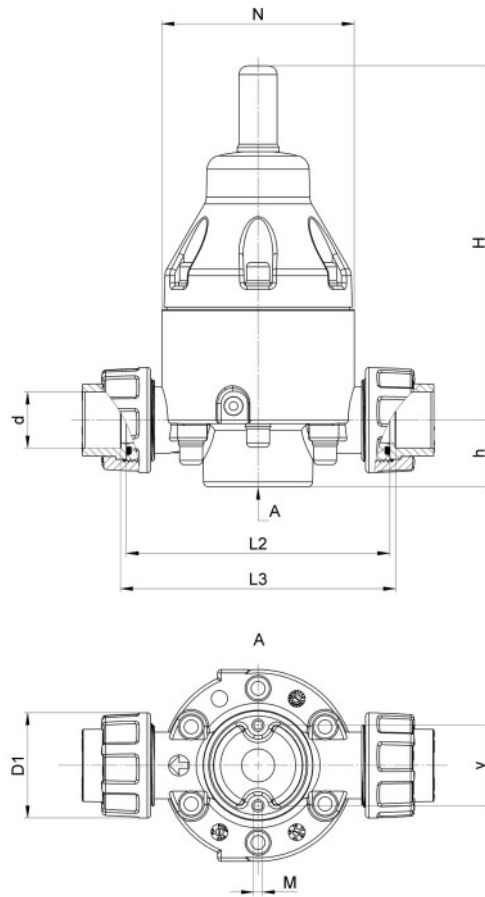
# Pressure reducing valves DMV 755

## PVC-U | EPDM | PTFE | DN15 | PVC-U socket DIN

Item-No.: 148792 / Weight: 0.820 kg / Customs Tariff No.: 848110



Material class	PVC-U
Material sealing element	EPDM
PN	10
Connection	PVC-U socket DIN
Cleaning	-
DN (inch)	1/2 Zoll
DN	15 mm
Material diaphragm	PTFE
Pressure gauge connection	2xG1/4" Zoll
adjusted to	0 bar
sealed	no
Adjustment range	1,00000 - 9,00000 bar



## Dimensions

d	20 mm
D1	46 mm
L2	120 mm
L3	126 mm
H	173 mm
v	40 mm
N	81 mm
M	M6
h	25 mm