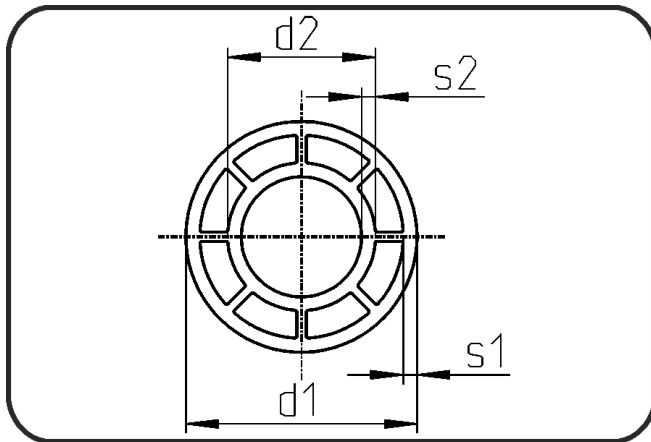


PPR Poly-Flo



Code: 785.1

- Poly-Flo Pipe 5m (16.4')
- extruded
- **simultaneous + cascade welding**
- PPR grey

| Dimension | Code | Detail | s1 mm | s2 mm | d1 mm | d2 mm | Weight |
|-----------|----------------|------------------|----------|----------|----------|----------|--------|
| 50/32 | 11.785.5032.71 | 50/32 SDR17/11 | 3 | 3 | 50 | 32 | 0.79 |
| 90/63 | 11.785.9063.71 | 90/63 SDR17/11 | 5,4 | 5,8 | 90 | 63 | 2.52 |
| 160/110 | 11.785.1611.71 | 160/110 SDR17/11 | 9,5 | 10 | 160 | 110 | 7.52 |
| 225/160 | 11.785.2216.71 | 225/160 SDR17/11 | 13,4 | 14,6 | 225 | 160 | 15.40 |